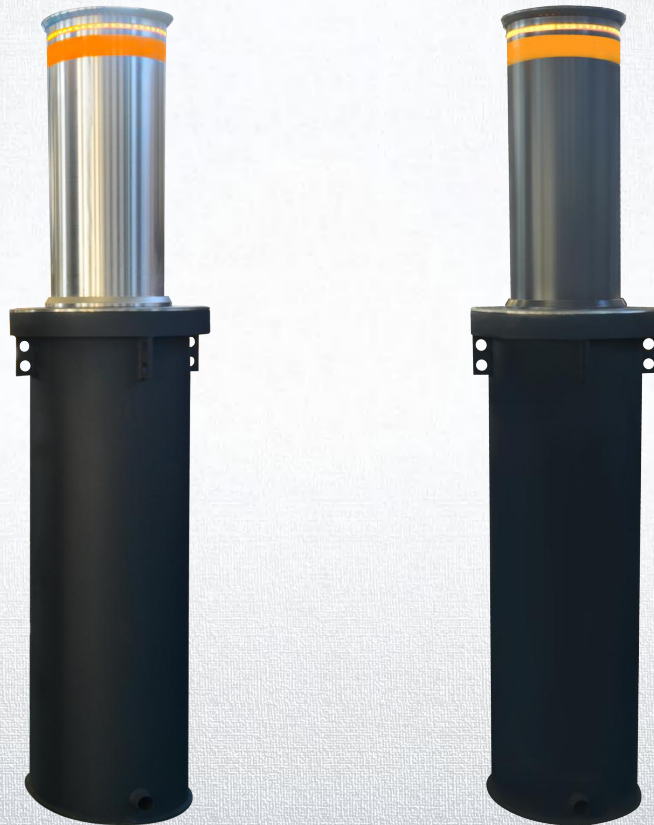


HA301-50-60-70 70CM Automatic Bollards



PRODUCT OVERVIEW

HA301 automatic hydraulic rising bollards are new products in end of 2020, which are designed and manufactured according to 7200KG/48KmH (M50/K4) standard.

Cylinder material is 304/316 stainless steel or Q235 steel with RAL color powder coated for customer selections. Intercept height 700mm, diameter 271mm and thickness 10mm with 3.8s fast rising speed.

Automatic rising bollard is suitable for high-frequency, high-security vehicle access sites. Especially for the government buildings, airports, military bases, nuclear power station etc.

AVAILABLE ITEMS

AUTOMATIC BOLLARDS HA SERIES STAINLESS STEEL 304/316

Q235 STEEL WITH RAL COLOR POWDER COATED

KIT HEAD WITH LED LAMP BAND

ONE KIT FOR EACH BOLLARD

REMOTE RADIO RECEIVER

OPTIONAL PLC CONTROLLER WITH LINKAGE WORK FUNCTIONS

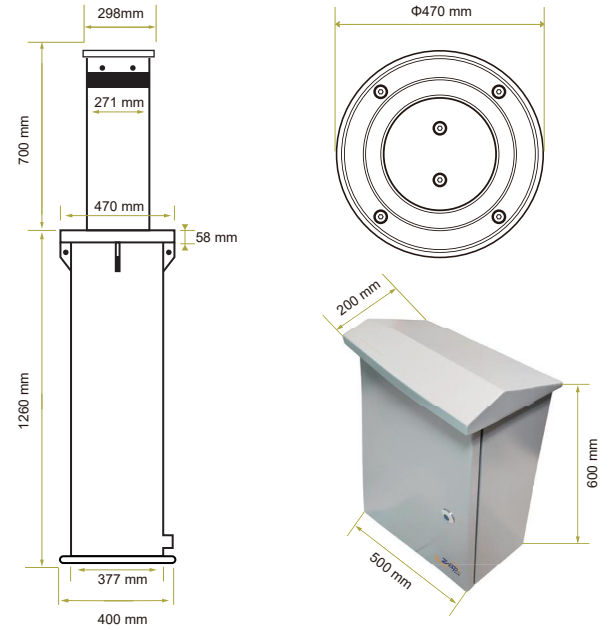
Specifications

Product Dimension	Φ470 x H1260mm
Cylinder Material	304/316 stainless steel, Q235 steel with RAL color powder coated
Cylinder Diameter	271mm
Cylinder Intercept Height	700mm
Cylinder Thickness	10mm
Flange Diameter	470mm
Flange Thickness	58mm
Cylinder underground Depth	1260mm
Cylinder underground Diameter	377mm
Movement Principle	Hydraulic driving
Cylinder Stainless Steel Finish	Brushed
Reflecting Adhesive Strip	Yes, 3M brand, Optional colors, Customized LOGO
Emergency Lowering if Power Fails	Yes
Safety Reversal Pressure Switch	Optional
LED light	Yes
Type of Use	Intensive
Life Units	10 years

IP Rating	IP68
Rising Time	3.8s
Lifting Force	300KG
Operating Temperature	-40°C ~ +70°C
Heating Unit	Optional
Overheating Protection	+120°C
Oil Tank Capacity	1L
Power Supply	AC380V / AC220V
Power Consumption	300W

Control Cabinet Dimension	500mmL x 200mmW x 600mmH
Finish	Outdoor Spray Paint
Self-Testing Program	Yes
Emergency Lowering	Yes
Remote Control Distance	100 meters
Communication Signal	Optional RS-232, RS-485, Ethernet
Air Leakage Switch	Yes, CHNT brand
Power Supply	AC380V / AC220V
Control Voltage	DC12V, Mean Well brand
Optional PLC Controller Linkage Work	Vehicle Identifications, Traffic light, Inductive Detector Loop, and other access control equipment

Dimensions



Hydraulic Actuator

Low temperature sensitivity

No fear of any harsh environment

PLC Control Box

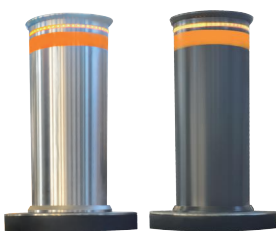
Waterproof design

Widely integration usage

Programmable Logic Controller



Related Components



Bollards



Control Box



Remote Control