

**NORATEX** A.B.E.E.



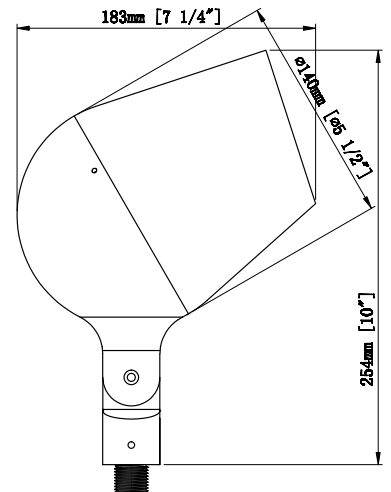
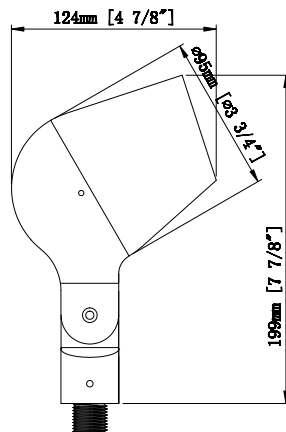
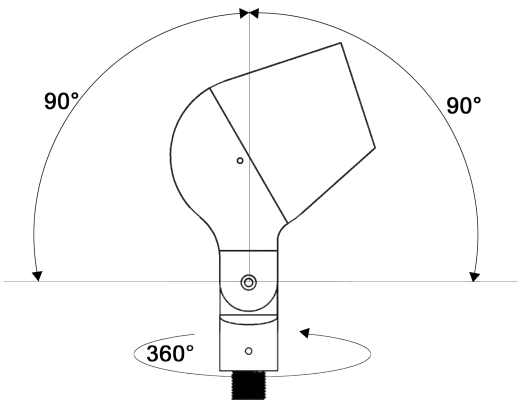
**A LAMP ILLUMINATE A CITY**

# LT-SL LANDSCAPE LIGHT



## LT-SL

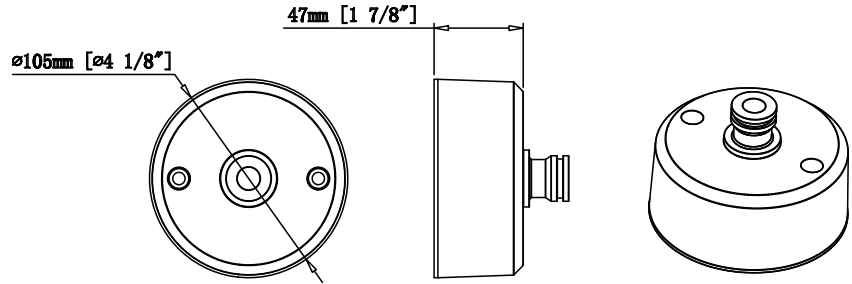
<b>Voltage</b>	<input type="checkbox"/> AC 220-240V <input type="checkbox"/> Voltage AC120-277V <input type="checkbox"/> Voltage DC12-24V
<b>Power</b>	<input type="checkbox"/> 10W <input type="checkbox"/> 20W <input type="checkbox"/> 30W <input type="checkbox"/> 40W <input type="checkbox"/> 60W
<b>Light distribution</b>	15-18° / 19-23° / 27-36° / 55-60° / 40×73°
<b>Color temperature</b>	2700K / 3000K / 4000K / 5000K
<b>Control DMX512</b>	R G B W(Apply to JB Junction Box) DC 12V (3W/18W/24W)
<b>Material</b>	Die-casting aluminum
<b>Lumen</b>	100lm/w
<b>Fixture color</b>	Brinze Metallic
<b>N W</b>	10-20W:0.9KG    30-60W:1.7KG



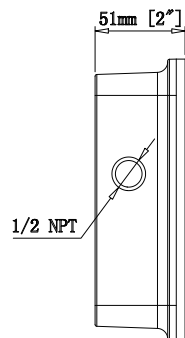
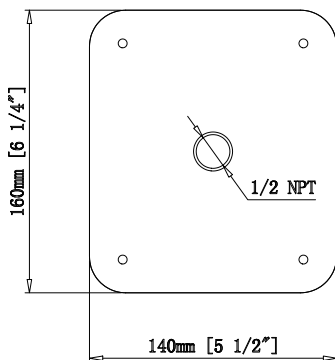
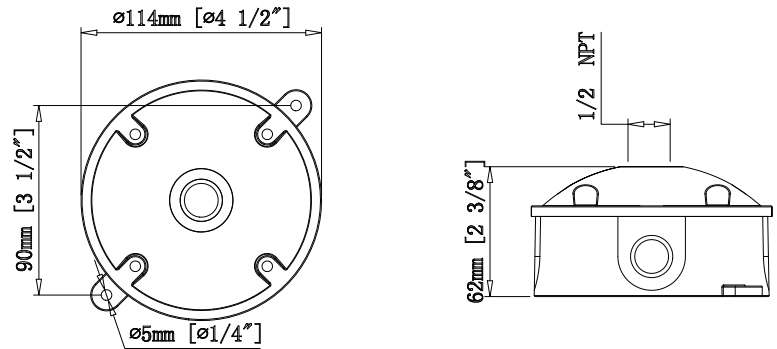
# Mounting Options



SB Surface Base Mount



JB Junction Box(USA)



WM Wall Mount(USA)

# LT-SL LANDSCAPE LIGHT

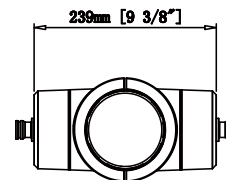
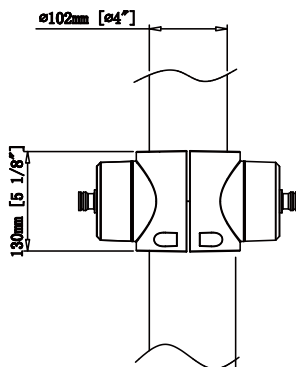


Pole/mast Mount

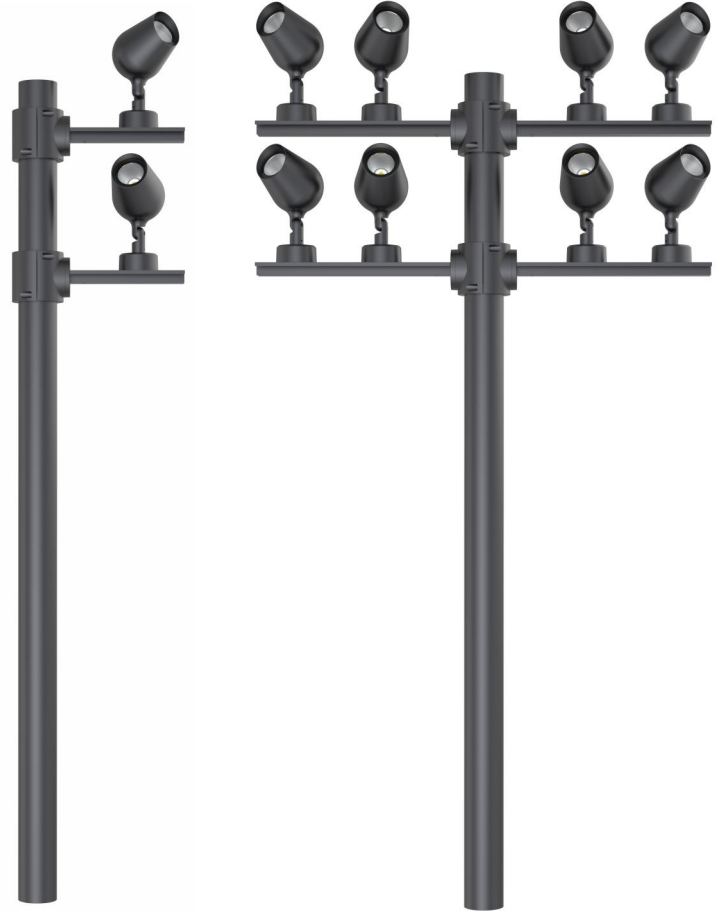


## LT-SL

<b>Voltage</b>	<input type="checkbox"/> AC 220-240V <input type="checkbox"/> Voltage AC120-277V <input type="checkbox"/> Voltage DC12-24V
<b>Power</b>	<input type="checkbox"/> 10W <input type="checkbox"/> 20W <input type="checkbox"/> 30W <input type="checkbox"/> 40W <input type="checkbox"/> 60W
<b>Light distribution</b>	15-18° / 19-23° / 27-36° / 55-60° / 40×73°
<b>Color temperature</b>	2700K / 3000K / 4000K / 5000K
<b>Material</b>	Die-casting aluminum
<b>Lumen</b>	100lm/w
<b>Fixture color</b>	Brinze Metallic
<b>N W</b>	10-20W:0.9KG    30-60W:1.7KG
<b>Flange</b>	Die-casting aluminum    *(Suitable for φ 102mm round rod)



# LT-SL LANDSCAPE LIGHT

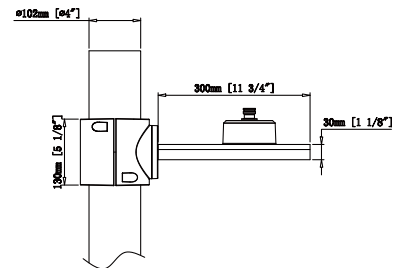
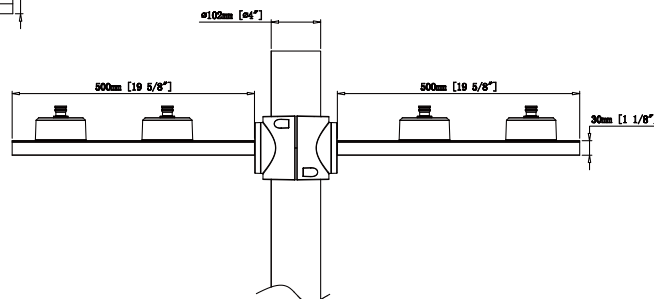
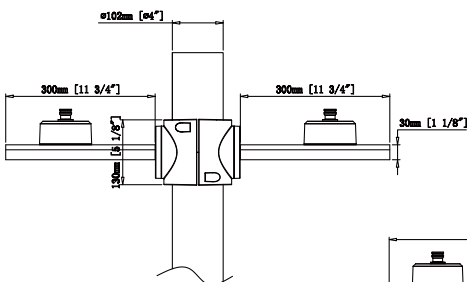


Pole/mast Mount



## LT-SL

<b>Voltage</b>	<input type="checkbox"/> AC 220-240V <input type="checkbox"/> Voltage AC120-277V <input type="checkbox"/> Voltage DC12-24V
<b>Power</b>	<input type="checkbox"/> 10W <input type="checkbox"/> 20W <input type="checkbox"/> 30W <input type="checkbox"/> 40W <input type="checkbox"/> 60W
<b>Light distribution</b>	15-18° / 19-23° / 27-36° / 55-60° / 40×73°
<b>Color temperature</b>	2700K / 3000K / 4000K / 5000K
<b>Material</b>	Die-casting aluminum
<b>Lumen</b>	100lm/w
<b>Fixture color</b>	Brinze Metallic
<b>N W</b>	10-20W:0.9KG    30-60W:1.7KG
<b>Mounting arm material</b>	Aluminum profile *(Length can be customized)



# LT-SL LANDSCAPE LIGHT

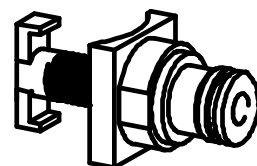
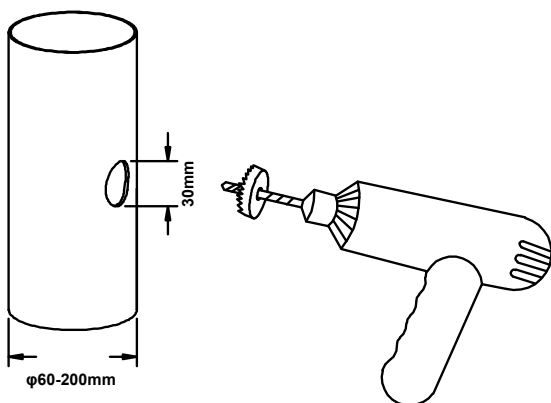


Pole coupler Mount



## LT-SL

<b>Voltage</b>	<input type="checkbox"/> AC 220-240V <input type="checkbox"/> Voltage AC120-277V <input type="checkbox"/> Voltage DC12-24V
<b>Power</b>	<input type="checkbox"/> 10W <input type="checkbox"/> 20W <input type="checkbox"/> 30W <input type="checkbox"/> 40W <input type="checkbox"/> 60W
<b>Light distribution</b>	15-18° / 19-23° / 27-36° / 55-60° / 40×73°
<b>Color temperature</b>	2700K / 3000K / 4000K / 5000K
<b>Material</b>	Die-casting aluminum
<b>Lumen</b>	100lm/w
<b>Fixture color</b>	Brinze Metallic
<b>N W</b>	10-20W:0.9KG    30-60W:1.7KG



1/2" I.P.S. POLE COUPLE THAT CAN BE EASILY INSTALLED TO POLES IN THE FIELD

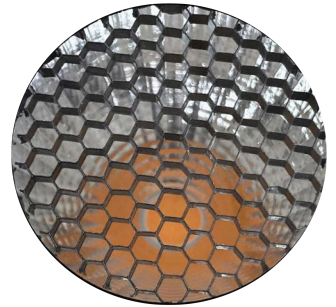
# Lens Options



Grid spread lens

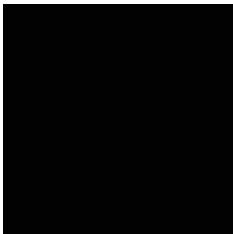


Linear spread lens

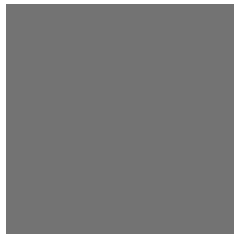


Hexagonal spread lens

# Color Options



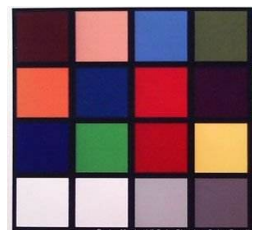
Black



Silver



Bronze Metallica



RAL color

# RGBW Schematic diagram

