

NORATEX A.B.E.E.



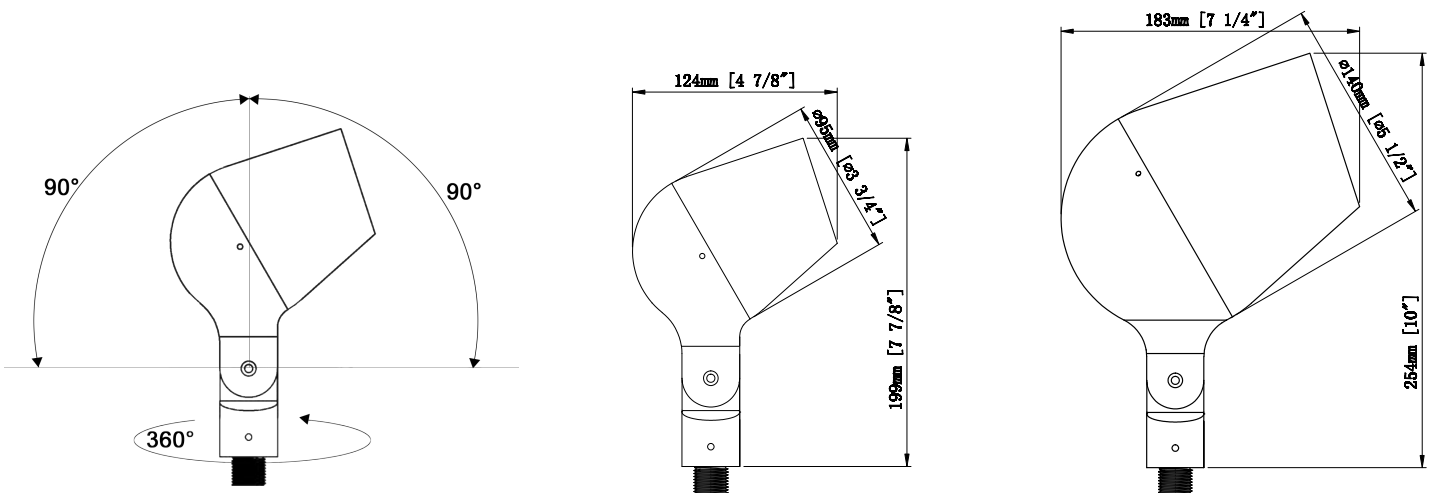
A LAMP ILLUMINATE A CITY

NT-SL LANDSCAPE LIGHT



NT-SL

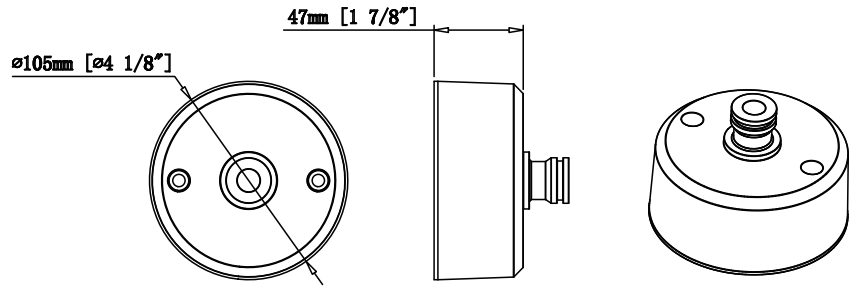
Voltage	<input type="checkbox"/> AC 220-240V <input type="checkbox"/> Voltage AC120-277V <input type="checkbox"/> Voltage DC12-24V
Power	<input type="checkbox"/> 10W <input type="checkbox"/> 20W <input type="checkbox"/> 30W <input type="checkbox"/> 40W <input type="checkbox"/> 60W
Light distribution	15-18° / 19-23° / 27-36° / 55-60° / 40×73°
Color temperature	2700K / 3000K / 4000K / 5000K
Control DMX512	R G B W(Apply to JB Junction Box) DC 12V (3W/18W/24W)
Material	Die-casting aluminum
Lumen	100lm/w
Fixture color	Brinze Metallic
N W	10-20W:0.9KG 30-60W:1.7KG



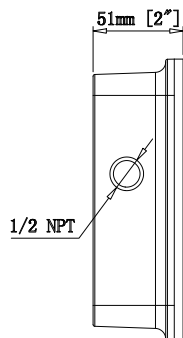
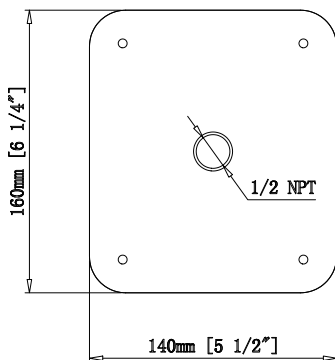
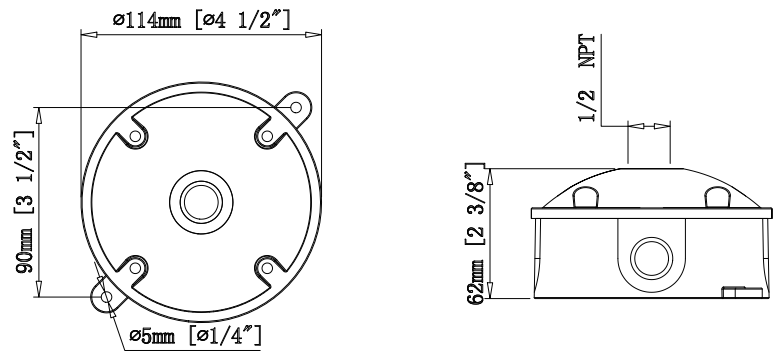
Mounting Options



SB Surface Base Mount



JB Junction Box(USA)



WM Wall Mount(USA)

NT-SL LANDSCAPE LIGHT

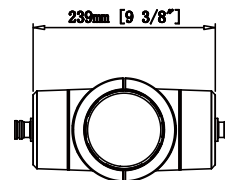
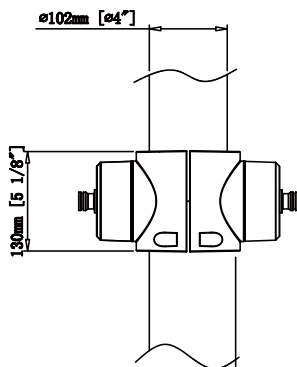


Pole/mast Mount

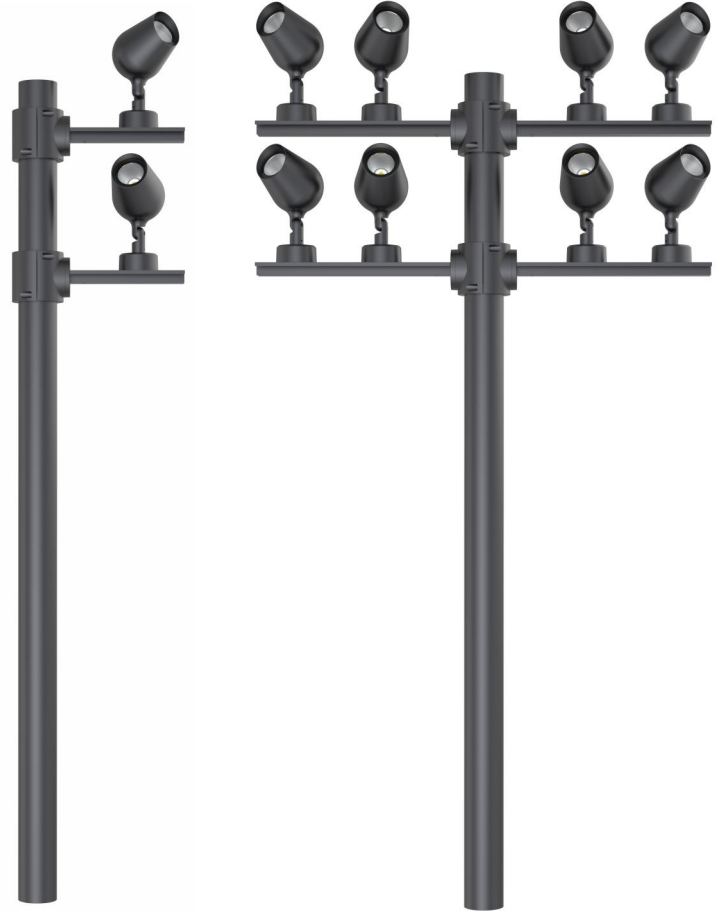


NT-SL

Voltage	<input type="checkbox"/> AC 220-240V <input type="checkbox"/> Voltage AC120-277V <input type="checkbox"/> Voltage DC12-24V
Power	<input type="checkbox"/> 10W <input type="checkbox"/> 20W <input type="checkbox"/> 30W <input type="checkbox"/> 40W <input type="checkbox"/> 60W
Light distribution	15-18° / 19-23° / 27-36° / 55-60° / 40×73°
Color temperature	2700K / 3000K / 4000K / 5000K
Material	Die-casting aluminum
Lumen	100lm/w
Fixture color	Brinze Metallic
N W	10-20W:0.9KG 30-60W:1.7KG
Flange	Die-casting aluminum *(Suitable for φ 102mm round rod)



NT-SL LANDSCAPE LIGHT

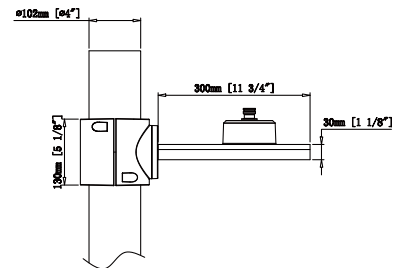
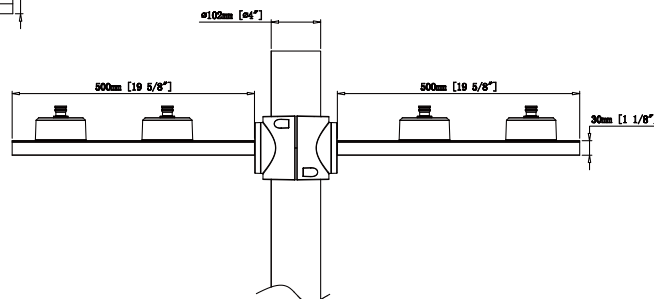
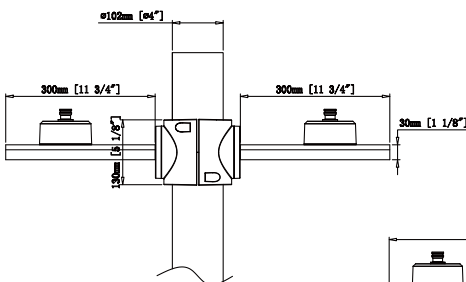


Pole/mast Mount



NT-SL

Voltage	<input type="checkbox"/> AC 220-240V <input type="checkbox"/> Voltage AC120-277V <input type="checkbox"/> Voltage DC12-24V
Power	<input type="checkbox"/> 10W <input type="checkbox"/> 20W <input type="checkbox"/> 30W <input type="checkbox"/> 40W <input type="checkbox"/> 60W
Light distribution	15-18° / 19-23° / 27-36° / 55-60° / 40×73°
Color temperature	2700K / 3000K / 4000K / 5000K
Material	Die-casting aluminum
Lumen	100lm/w
Fixture color	Brinze Metallic
N W	10-20W:0.9KG 30-60W:1.7KG
Mounting arm material	Aluminum profile *(Length can be customized)



NT-SL LANDSCAPE LIGHT

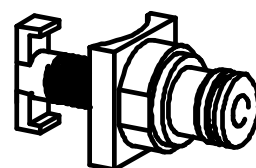
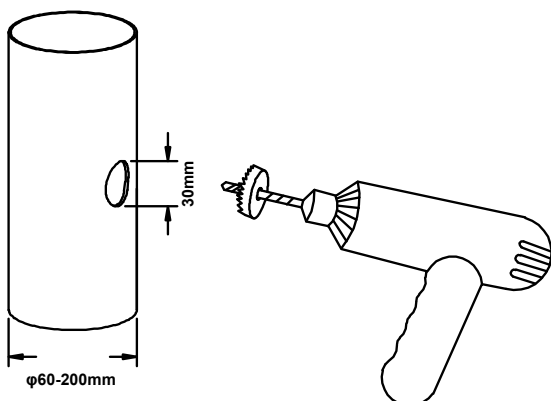


Pole coupler Mount



NT-SL

Voltage	<input type="checkbox"/> AC 220-240V <input type="checkbox"/> Voltage AC120-277V <input type="checkbox"/> Voltage DC12-24V
Power	<input type="checkbox"/> 10W <input type="checkbox"/> 20W <input type="checkbox"/> 30W <input type="checkbox"/> 40W <input type="checkbox"/> 60W
Light distribution	15-18° / 19-23° / 27-36° / 55-60° / 40×73°
Color temperature	2700K / 3000K / 4000K / 5000K
Material	Die-casting aluminum
Lumen	100lm/w
Fixture color	Brinze Metallic
N W	10-20W:0.9KG 30-60W:1.7KG



1/2" I.P.S. POLE COUPLE THAT CAN BE EASILY INSTALLED TO POLES IN THE FIELD

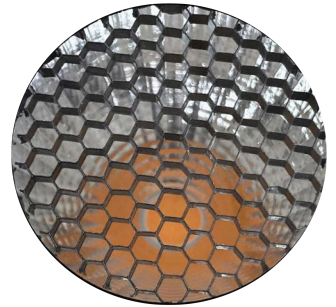
Lens Options



Grid spread lens

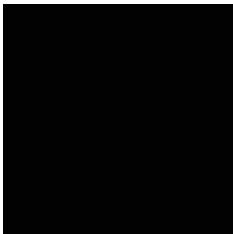


Linear spread lens

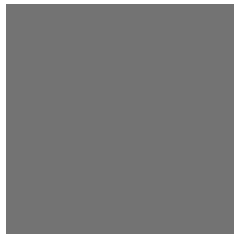


Hexagonal spread lens

Color Options



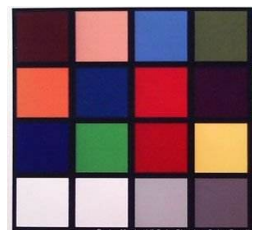
Black



Silver



Bronze Metallica



RAL color

RGBW Schematic diagram

