

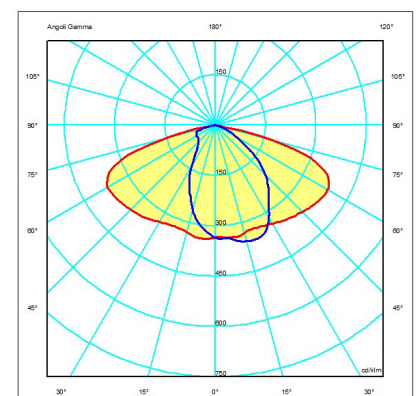
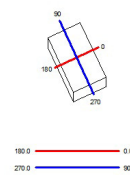
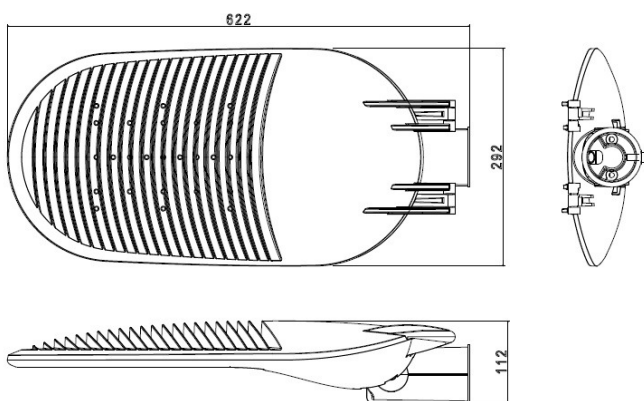
TECHNICAL DATASHEET

Ledro AD2 8M7000-N57A-230-DL

LED Streetlight



Compliance with : EN60598-1, EN60598-2-3, EN61547, EN62031, EN55015, EN61000-3-2, EN61000-3-3	
Optical features	
LED quantity	8@0,7 A d.c.
CCT	4100 K
Beam angles	Asymmetric
Total lamp flux (Ta=25°C) [lm]	6700
Photobiological risk group (EN 62471)	Exempt
Color Rendering Index (CRI)	>70
Led lifetime [hrs] L70	>100000
Protections and certifications	
Protection degree (EN 60529)	IP66
Insulation class	II
Power supply	
Voltage	220-230V ~ 50/60Hz
Current [A]	0,29 ±10%
Total power consumption [W]	68 ±10%
Optical power [W]	61 ±10%
Power factor	>0,95
Surge protection	10 kV
THD	< 20%
Dimming	Lumistep
Wire, weight, mounting	
Type	H07RN-F
Length out of the lamp [mm]	350
Connection	IP68 connector
Fixing	Adjustable, arm or head pole
Pole diam. [mm]	60
Weight [Kg]	5,2
Thermal features	
Working temperature [°C]	-25 ÷ +50
Led junction temperature Tj (Ta=25°C) [°C]	80 ±5%
Humidity range [%]	10 ÷ 90
Mechanical features	
Body material	Die cast aluminum
Body Color	Gray RAL7040
Glass type	Tempered
Glass Thickness [mm]	4



Warning: this is a class II device. Ground connection to the lamp and to the pole is prohibited

VER. 1

DATE 11/02/2016 Duplication, reproduction, copy of all or any part of this publication without authorization are prohibited

